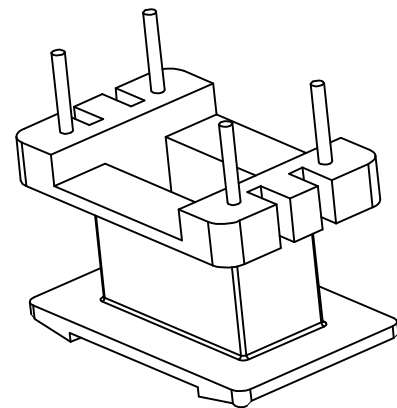
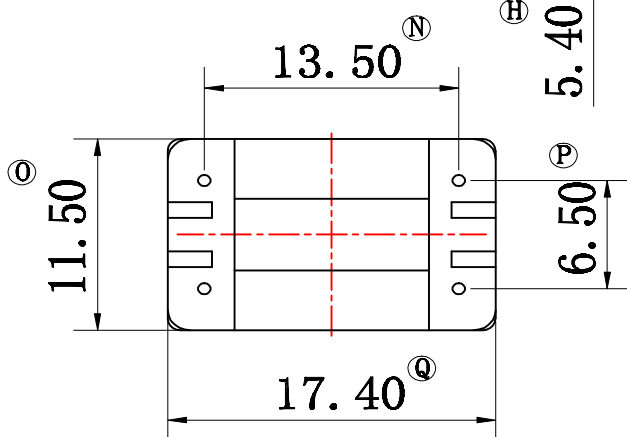
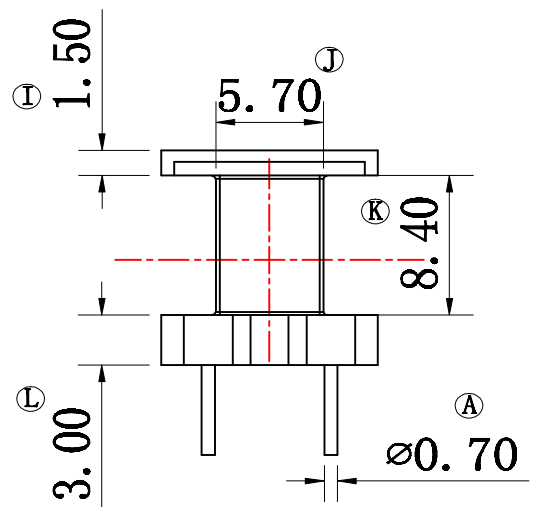
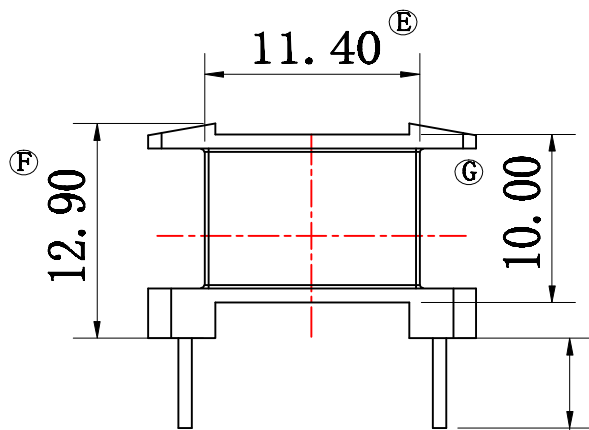
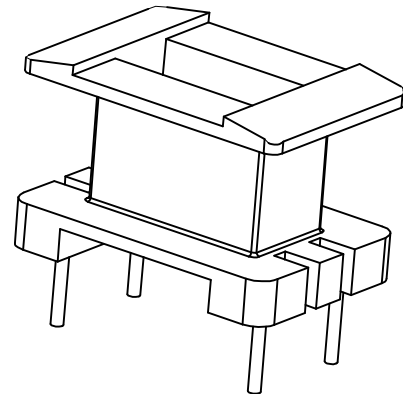
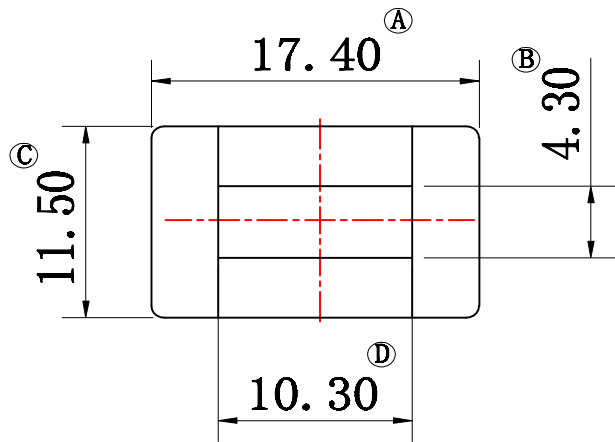


FWB1655-J



| REV | REVISION RECORD | DATE | REV | REVISION RECORD | DATE |
|-----|-----------------|------|-----|-----------------|------|
| A | | | C | | |
| B | | | D | | |

| NAME | EE16 2+2P | MATERIAL | PBT | SCALE | | ANGLE | ± 1° |
|---|-----------|---------------|---|-------|-----|-------|------|
| DRAWING NO. | FWB1655-J | PIN MATERIAL | CP WIRE | UNIT | m/m | REV | A |
| TOLERANCE OF PIN PITCH | ± 0.20 | | HAINING FERRIWO ELECTRONICS CO.,LTD. TEL: +86-573-87088701 FAX: +86-573-87081130 Web: www.ferriwo.com Email: sales@ferriwo.com | | | | |
| PIN TENSION LOAD | kg MN | UL REC: 94V-0 | | | | | |
| TOLERANCE: 0<L≤4: ±0.2 4<L≤16: ±0.3 16<L≤63: ±0.4 | | | | | | | |